

M1

Flagship Wrensilva Sound

M1 is our largest, most powerful record console, with a presence that invites attention.



DIMENSIONS

70"W x 31.5"H x 22"D
With Lid Stowed: 37"H
With Lid in Angled Position: 50"H
Storage for up to 150 albums

MATERIAL DETAILS

Hand-selected and elegantly grained hardwoods

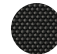
Features our signature louvered doors made from vertical wood slats with beautiful bookmatched grain patterns

CUSTOMIZATION


Contact us to discuss customization options.

CONSOLE FINISHES

 Natural Walnut

 + Charcoal Speaker Grille

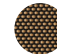
 + Brushed Aluminum Leg


 Tobacco Walnut

 + White Speaker Grille

 + Brushed Black Leg

 Blonde Mahogany

 + Natural Speaker Grille

 + Brushed Brass Leg

LISTENING MODES

Vinyl

Sonos®

Bluetooth

Aux 1 (RCA)

Aux 2 (RCA)

SOUND SYSTEM

Signature 2-way bass reflex speakers

Wrensilva solid state pre-amp

300 wpc Class D output - ICEpower

LF Driver - 9½" Egyptian Papyrus cone

HF Driver - 1" Textile Dome

31 hz - 20k hz +/- 3db response at typical off-axis listening position

TURNTABLE FEATURES

Wrensilva floating split-plinth belt-driven turntable

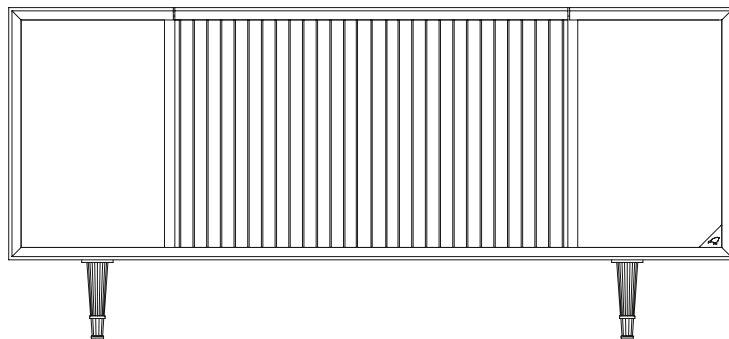
Thick 1½" frosted acrylic turntable platter

Grain-matched figured wood deck with warm LED light panel

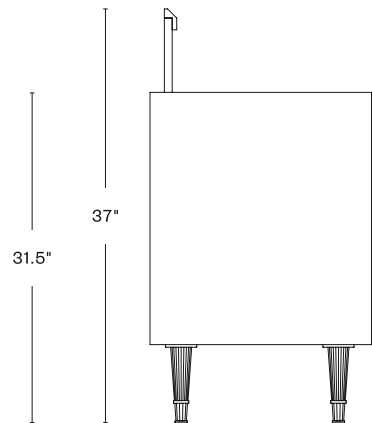
Custom two-tone aluminum tonearm and sleek counterweight

Ortofon 2M Black cartridge

Custom control panel with solid aluminum knobs



70"



31.5"

37"

22"